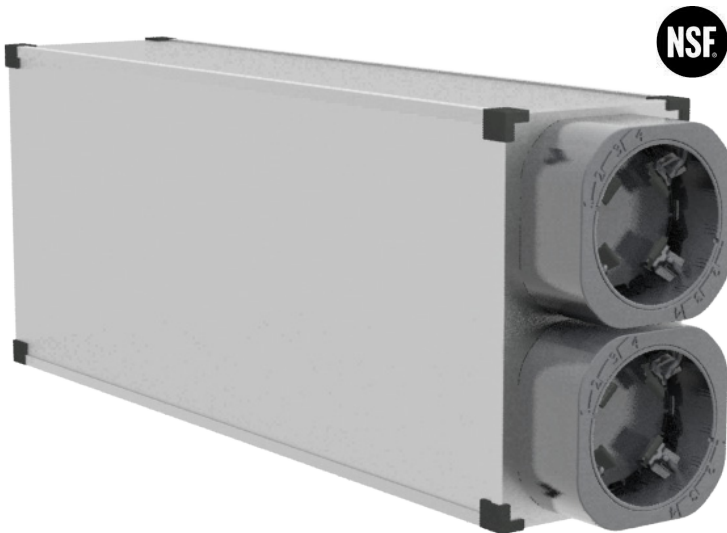


UNIVERSAL CUP SOLUTIONS

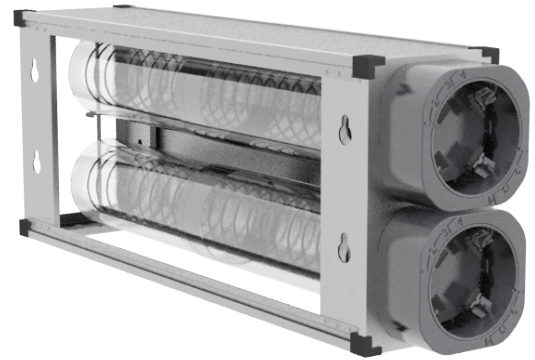
2-PLACE UNIVERSAL HOUSING WITH ADJUSTABLE CUP TUBES - ITEM # 27800307

Versatile housing cabinet

With the expanding variety of cups required to support beverage and dessert segments, flexibility is key. This 2-place universal cup housing was designed to provide maximum flexibility. It can be wall mounted, placed on any work surface and even stacked vertically or horizontally. This housing includes (2) of Franke's patent pending adjustable cup dispensers, allowing you to dispense most foam, paper and plastic cups.



Item #
Description:
Quantity:



SHOWN WITH SIDE PANEL REMOVED

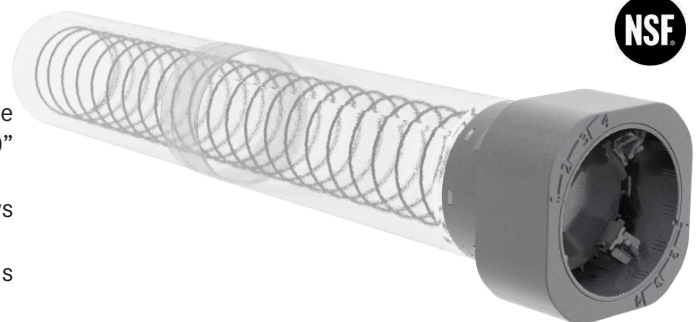
- Durable stainless steel construction
- Easy to clean removable side panels.
- Can be used as freestanding unit which have rubberized corners to help keep unit in place.
- Can be stacked vertically or horizontally.
- Can be wall mounted.
- NSF Listed.

ADJUSTABLE CUP TUBE - ITEM # 27020452-1

Adjustable cup dispenser

Franke's patent pending adjustable cup dispensers will dispense most foam, paper and plastic cups with diameters from 3.0" (75mm) to 4.2" (106mm).

- Adjustable depth from 15" (381mm) to 25" (635mm) allows flexibility for any depth cabinet or housing.
- Requires 4.5" (114mm) diameter opening. Face is 5.35" (136mm) x 5.35" (136mm).
- Mounting options for metal and wood (optional)
- NSF Listed



FOODSERVICE
SYSTEMS



100 SPIRIT OF
FRANKE
THE FIRST 100 YEARS

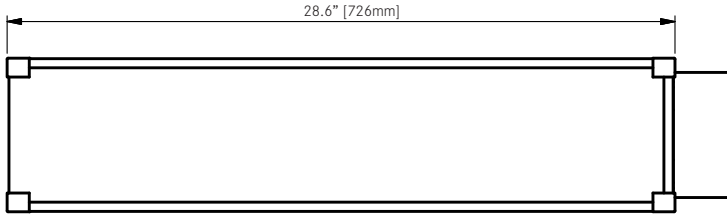
FRANKE

2-PLACE UNIVERSAL HOUSING WITH ADJUSTABLE CUP TUBES - ITEM # 27800307

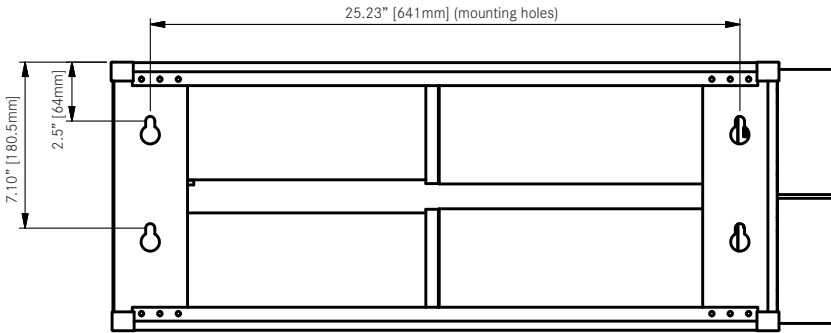
DIMENSIONS & WEIGHT

Width	6.6"	167mm
Depth (housing)	28.6"	726mm
Depth (overall)	31.1"	789mm
Height	11.5"	292mm
Shipping Weight	20.9lbs	9.5kg
Unit Weight	15.4lbs	7.0kg

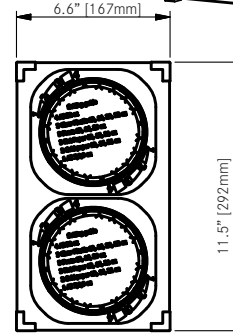
Approvals / Listings



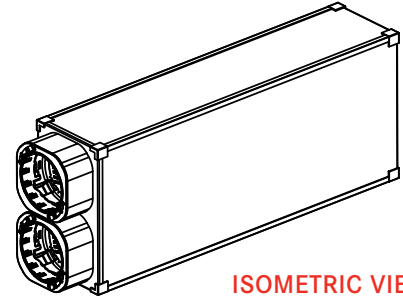
TOP VIEW



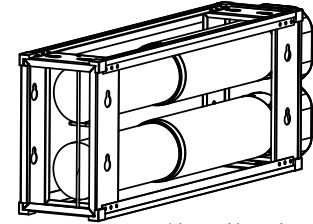
SIDE VIEW (SHOWN WITH PANEL REMOVED)



FRONT VIEW



ISOMETRIC VIEW



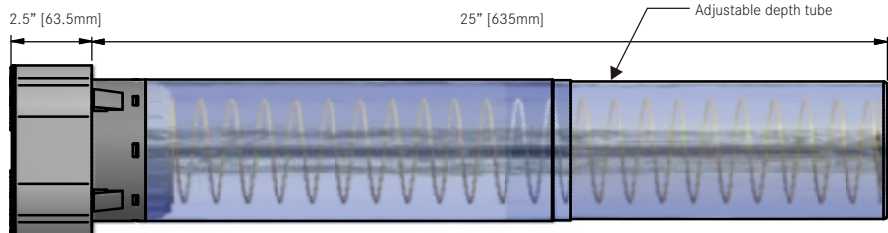
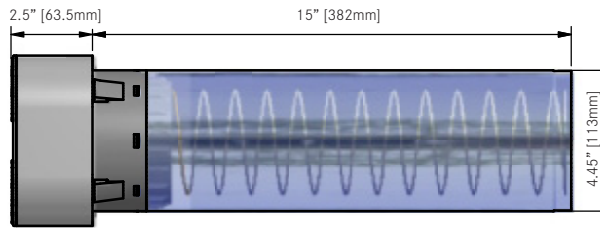
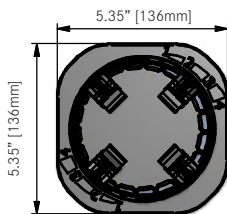
(shown with panel removed)

ADJUSTABLE CUP TUBE - ITEM # 27020452-1

DIMENSIONS

Width	5.35"	136mm
Depth (min)	15"	382mm
Depth (max)	25"	635mm
Height	5.35"	136mm

Approvals / Listings



© 2011 - Franke Foodservice Systems Inc. Due to continuous product development, Franke Foodservice Systems reserves the right to make changes in design and specification without prior notice.
REV 15Apr2011 • G80005357FCG • Under license of Franke Technology and Trademark Ltd., Switzerland. Printed in U.S.A.

Franke Foodservice Systems, Inc.
800 Aviation Parkway
Smyrna, TN 37167
USA
Tel +1 615 462 4000
Toll Free (US/Can): 1 888 437 2653
www.frankefs.com

FOODSERVICE
SYSTEMS

